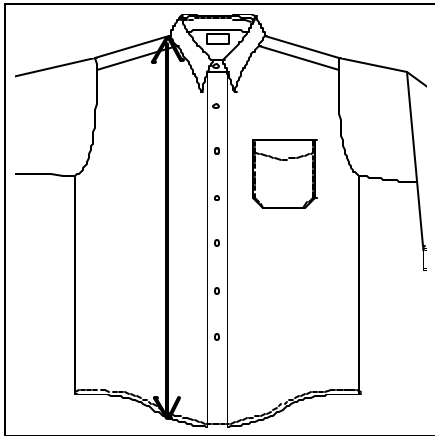


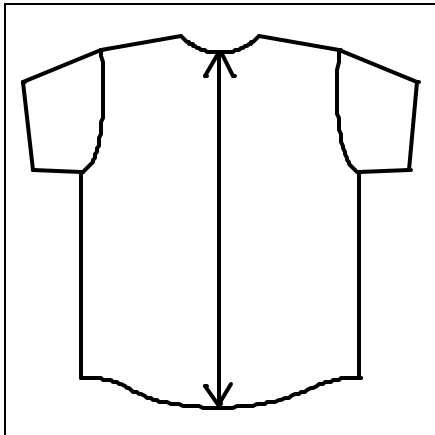
#1
BUST/CHEST WIDTH
How to Measure:
1" BELOW ARMHOLE
FROM SIDE SEAM TO SIDE SEAM

Product Type:
SHIRTS, SWEATERS, KNIT TOPS, DRESSES
JACKETS, VESTS



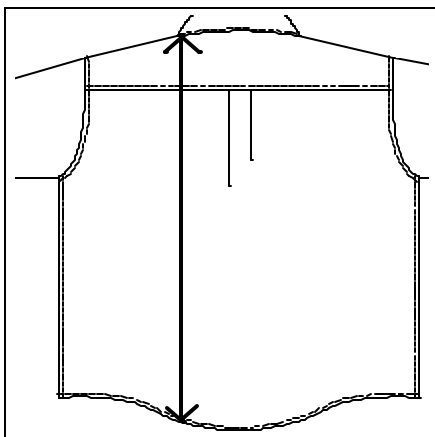
#2
FRONT LENGTH FROM HIGH POINT SHOULDER
How to Measure:
MEASURE STRAIGHT DOWN FRONT OF GARMENT
FROM HIGH POINT OF SHOULDER TO BOTTOM
FRONT EDGE OF GARMENT.

Product Type:
SHIRTS, SWEATERS, KNIT TOPS, DRESSES
JACKETS, VESTS



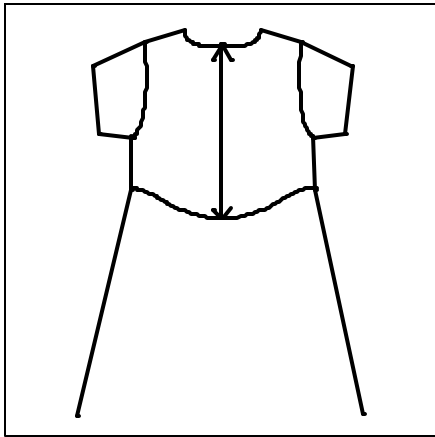
#3
CENTER BACK LENGTH
How to Measure:
MEASURE STRAIGHT DOWN BACK OF GARMENT
FROM CENTER BACK NECK TO BOTTOM BACK
EDGE OF GARMENT.

Product Type:
SHIRTS, SWEATERS, KNIT TOPS, DRESSES
VESTS, JACKETS



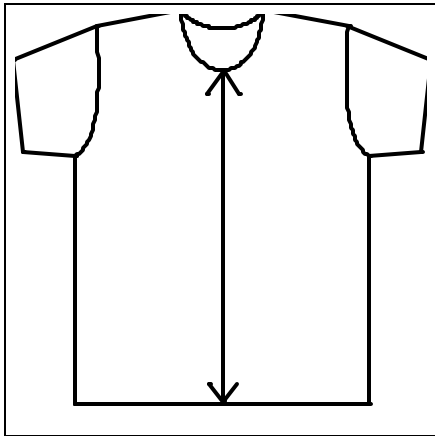
#4
BACK LENGTH FROM HIGH POINT SHOULDER
How to Measure:
MEASURE STRAIGHT DOWN BACK OF GARMENT
FROM HIGH POINT OF SHOULDER TO BOTTOM
BACK EDGE OF GARMENT.

Product Type:
SHIRTS, SWEATERS, KNIT TOPS, DRESSES
VESTS, JACKETS



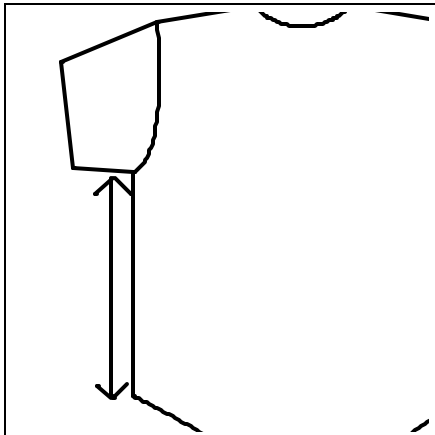
#5
 CENTER BACK BODICE LENGTH
 How to Measure:
 MEASURE STRAIGHT DOWN BACK OF GARMENT
 FROM CENTER BACK NECK TO WAIST SEAM

Product Type:
 SHIRTS, SWEATERS, KNIT TOPS, DRESSES



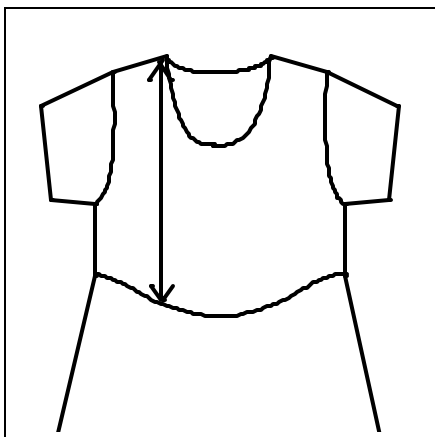
#6
 CENTER FRONT LENGTH
 How to Measure:
 MEASURE STRAIGHT DOWN FRONT OF GARMENT
 FROM CENTER FRONT NECK EDGE TO BOTTOM
 FRONT EDGE OF GARMENT.

Product Type:
 SHIRTS, SWEATERS, KNIT TOPS, DRESSES
 JACKETS, VESTS



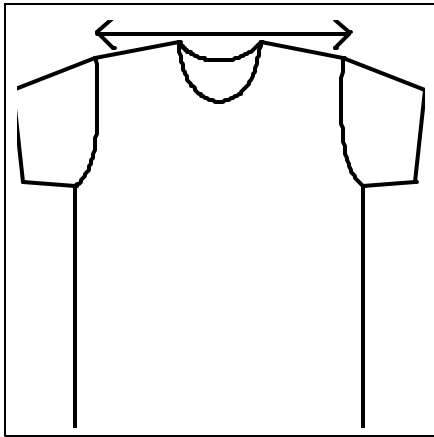
#7
 SIDE SEAM LENGTH
 How to Measure:
 MEASURE FROM ARMHOLE/SIDE SEAM INTERSECTION
 ALONG SIDE SEAM TO BOTTOM HEM EDGE
 OF GARMENT.

Product Type:
 SHIRTS, SWEATERS, KNIT TOPS, DRESSES
 JACKETS



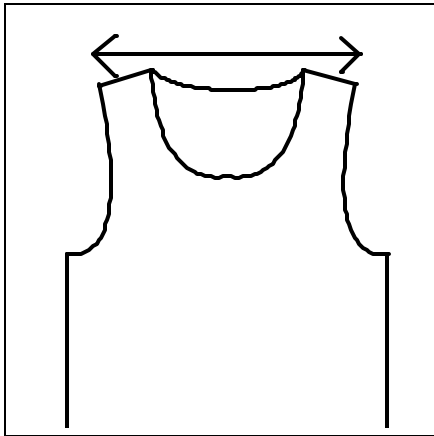
#8
 FRONT BODICE LENGTH
 How to Measure:
 MEASURE STRAIGHT DOWN FRONT OF GARMENT
 FROM HIGH POINT SHOULDER TO WAIST SEAM

Product Type:
 DRESSES
 JACKETS



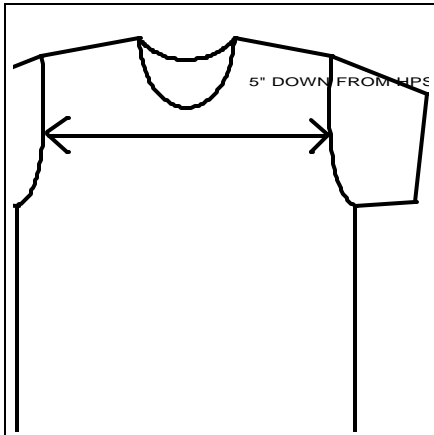
#9
 ACROSS SHOULDER
 How to Measure:
 MEASURE STRAIGHT ACROSS GARMENT
 FROM SHOULDER SEAM TO SHOULDER SEAM

 Product Type:
 SHIRTS, SWEATERS, KNIT TOPS, DRESSES
 JACKETS, VESTS



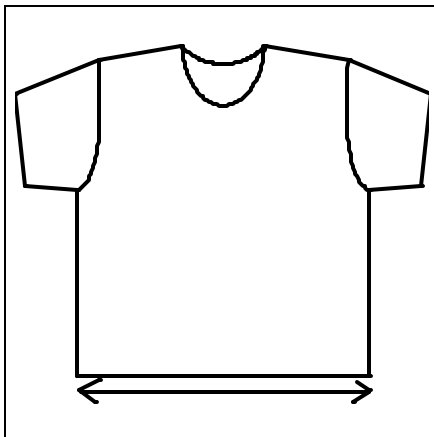
#9A
 ACROSS SHOULDER (SLEEVELESS)
 How to Measure:
 MEASURE STRAIGHT ACROSS GARMENT
 FROM SHOULDER EDGE TO SHOULDER EDGE

 Product Type:
 SHIRTS, SWEATERS, KNIT TOPS, DRESSES
 VESTS



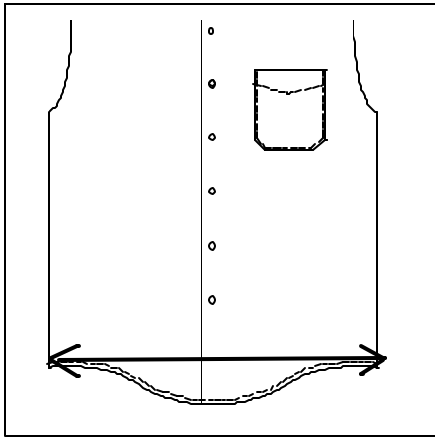
#10
 ACROSS FRONT
 How to Measure:
 MEASURE STRAIGHT ACROSS GARMENT FROM
 ARMHOLE SEAM TO ARMHOLE SEAM 5" FROM HPS.
 CHECK SPEC SHEET FOR ANY POSITION VARIANCE.

 Product Type:
 SHIRTS, SWEATERS, KNIT TOPS, DRESSES
 JACKETS, VESTS, SKIRTS



#11
 SWEEP
 How to Measure:
 MEASURE ALONG BOTTOM EDGE OF GARMENT
 FROM SIDE SEAM TO SIDE SEAM

 Product Type:
 SHIRTS, SWEATERS, KNIT TOPS, DRESSES
 JACKETS, VESTS, SKIRTS



#11A

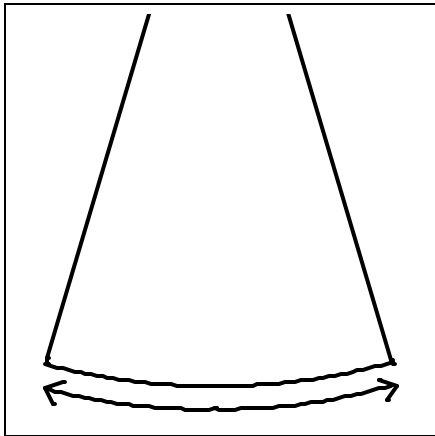
SWEEP-SHIRT TAILHEM

How to Measure:

MEASURE STRAIGHT ACROSS GARMENT FROM SIDE SEAM
TO SIDE SEAM AT HEM.

Product Type:

SHIRTS, SWEATERS, KNIT TOPS, DRESSES



#11B

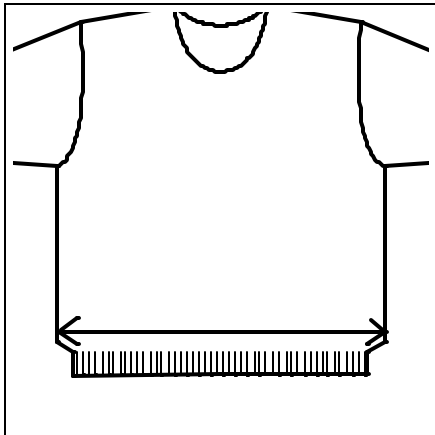
SWEEP (CURVED HEM)

How to Measure:

MEASURE BOTTOM EDGE ALONG CURVE

Product Type:

DRESSES, SKIRTS



#12

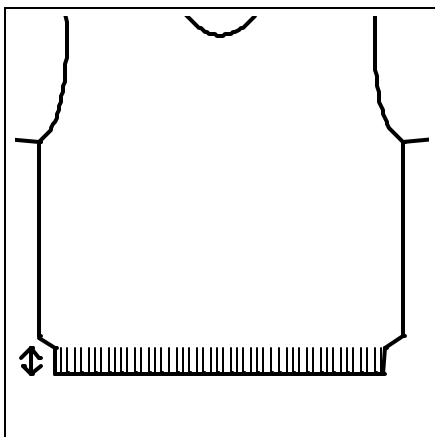
BOTTOM WIDTH

How to Measure:

MEASURE 1" ABOVE RIB SEAM OR RIB EDGE
FROM SIDE SEAM TO SIDE SEAM

Product Type:

SWEATERS, KNIT TOPS, JACKETS



#13

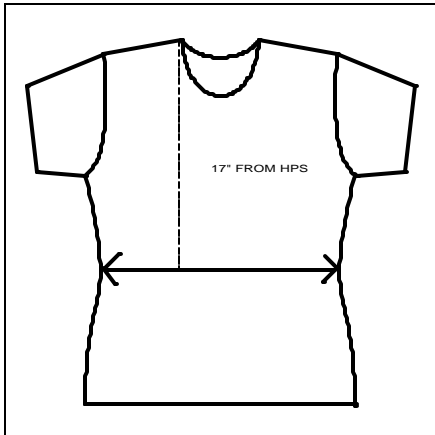
BOTTOM RIB HEIGHT

How to Measure:

MEASURE FROM BOTTOM HEM EDGE TO RIB
SET SEAM

Product Type:

SWEATERS, KNIT TOPS, JACKETS



#14

WAIST 17" BELOW HPS

How to Measure:

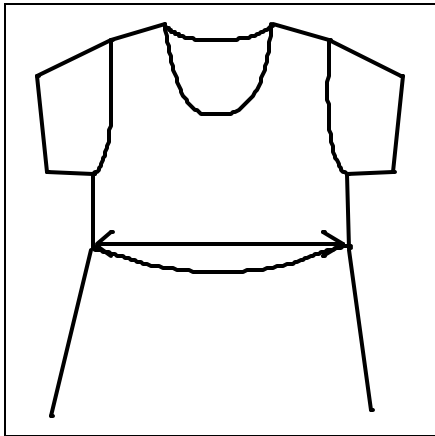
MEASURE STRAIGHT ACROSS GARMENT 17" DOWN
FROM HIGH POINT SHOULDER.

CHECK SPEC SHEET FOR ANY WAIST POSITION VARIANCE.

Product Type:

SHIRTS, SWEATERS, KNIT TOPS, DRESSES

JACKETS, VESTS



#15

WAIST AT SEAM

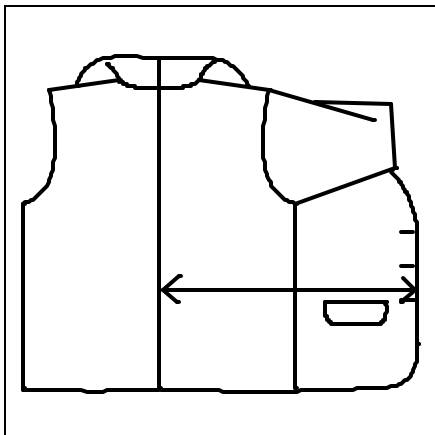
How to Measure:

MEASURE ACROSS GARMENT AT WAIST SEAM

Product Type:

SHIRTS, SWEATERS, KNIT TOPS, DRESSES

JACKETS, VESTS



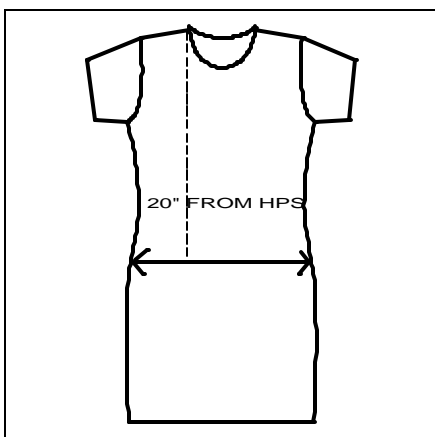
#16

HALF WAIST

How to Measure:

WITH SPORT COAT OPEN AND FLAT, MEASURE FROM
CENTER BACK SEAM TO FRONT EDGE, USING TOP OF
POCKET FOR HEIGHT GUIDE

Product Type:



#17

HIGH HIP 21" BELOW HIGH POINT SHOULDER

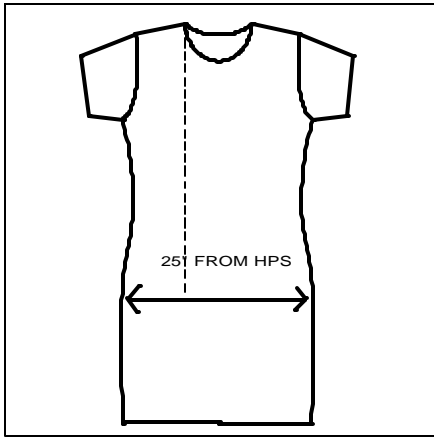
How to Measure:

MEASURE STRAIGHT ACROSS GARMENT 21" DOWN
FROM HIGH POINT SHOULDER.

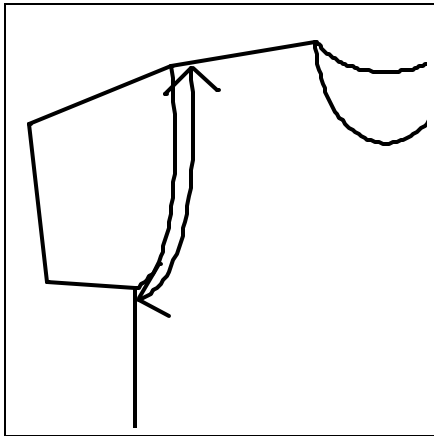
CHECK SPEC SHEET FOR ANY HIP POSITION VARIANCE

Product Type:

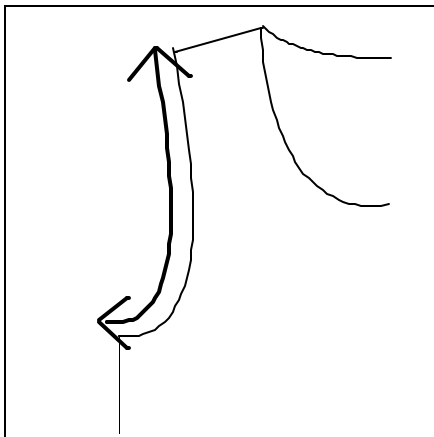
DRESSES



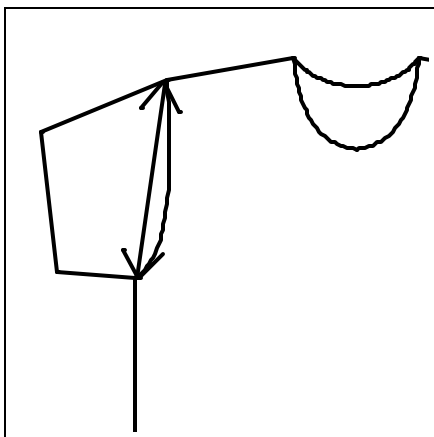
#18
 LOW HIP 25" BELOW HIGH POINT SHOULDER
 How to Measure:
 MEASURE STRAIGHT ACROSS GARMENT 25" DOWN
 FROM HIGH POINT SHOULDER.
 CHECK SPEC SHEET FOR ANY HIP POSITION VARIANCE.
 Product Type:
 DRESSES



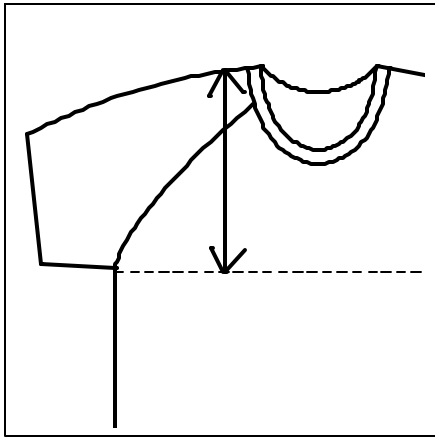
#19
 ARMHOLE (ON SEAM)
 How to Measure:
 MEASURE ALONG ARMHOLE SEAMLINE OR ALONG EDGE
 FOR SLEEVELESS GARMENTS
 Product Type:
 SHIRTS, SWEATERS, KNIT TOPS, DRESSES
 JACKETS, VESTS



#19A
 ARMHOLE ON SEAM (SLEEVELESS)
 How to Measure:
 MEASURE ALONG EDGE OF ARMHOLE
 Product Type:
 SHIRTS, SWEATERS, KNIT TOPS, DRESSES
 JACKETS, VESTS



#20
 ARMHOLE (STRAIGHT)
 How to Measure:
 MEASURE STRAIGHT FROM SHOULDER SEAM TO
 SIDE SEAM/ARMHOLE INTERSECTION.
 Product Type:
 SHIRTS, SWEATERS, KNIT TOPS, DRESSES
 JACKETS, VESTS



#21

ARMHOLE (RAGLAN STRAIGHT)

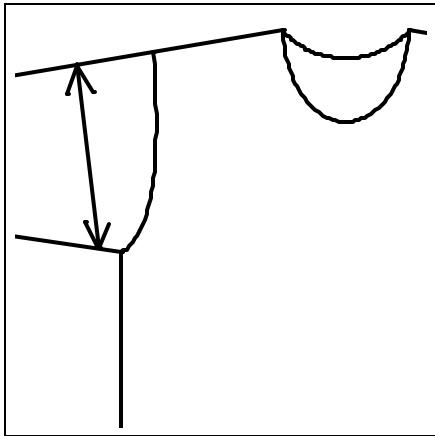
How to Measure:

IMAGINARY LINE STRAIGHT ACROSS FROM ARMHOLE/
SIDE SEAM INTERSECTION- MEASURE UP FROM THIS
LINE TO THE HIGH POINT SHOULDER.

Product Type:

SHIRTS, SWEATERS, KNIT TOPS, DRESSES

JACKETS



#22

MUSCLE

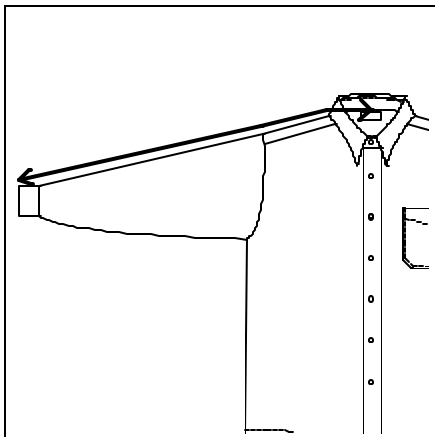
How to Measure:

MEASURE STRAIGHT ACROSS SLEEVE
PERPENDICULAR TO SLEEVE 1" BELOW ARMHOLE

Product Type:

SHIRTS, SWEATERS, KNIT TOPS, DRESSES

JACKETS



#23

SLEEVE LENGTH FROM CENTER BACK NECK

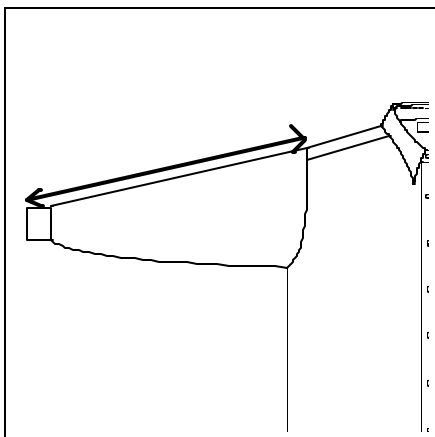
How to Measure:

MEASURE FROM CENTER BACK NECK SEAM ALONG
SHOULDER TO CUFF EDGE.

Product Type:

SHIRTS, SWEATERS, KNIT TOPS, DRESSES

JACKETS



#24

SLEEVE LENGTH FROM SHOULDER SEAM

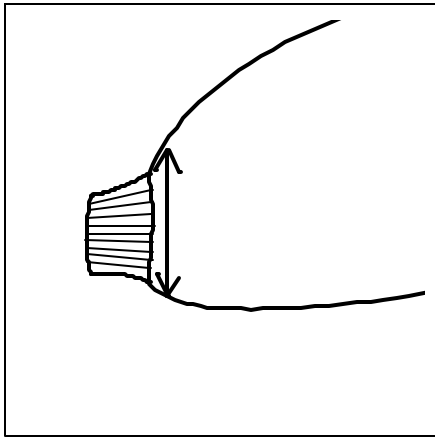
How to Measure:

MEASURE FROM SHOULDER SEAM ALONG
SHOULDER TO CUFF EDGE.

Product Type:

SHIRTS, SWEATERS, KNIT TOPS, DRESSES

JACKETS



#25

FOREARM

How to Measure:

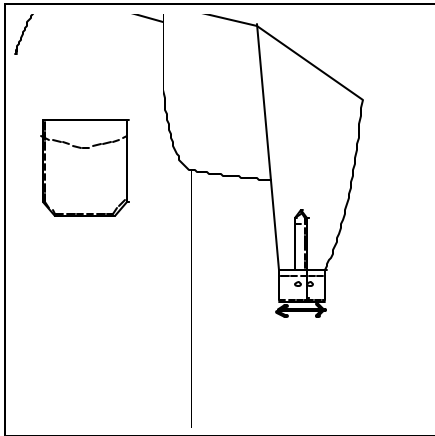
MEASURE STRAIGHT ACROSS SLEEVE

1" ABOVE RIB.

Product Type:

SHIRTS, SWEATERS, KNIT TOPS, DRESSES

JACKETS



#26

SLEEVE OPENING

How to Measure:

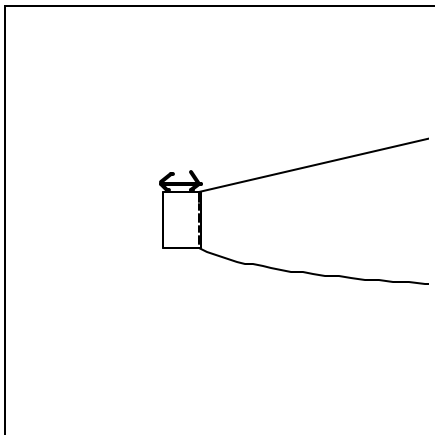
MEASURE STRAIGHT ACROSS CUFF FROM

FOLDED EDGE TO FOLDED EDGE.

Product Type:

SHIRTS, SWEATERS, KNIT TOPS, DRESSES

JACKETS



#27

CUFF HEIGHT

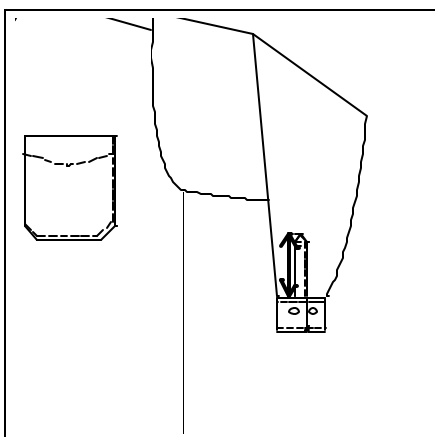
How to Measure:

MEASURE FROM FINISHED EDGE OF CUFF TO

CUFF EDGE

Product Type:

SHIRTS, SWEATERS, KNIT TOPS, DRESSES



#28

SLEEVE PLACKET HEIGHT

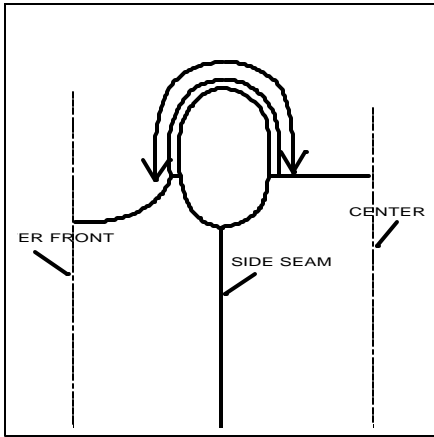
How to Measure:

MEASURE FROM CUFF SEAM TO END OF

PLACKET

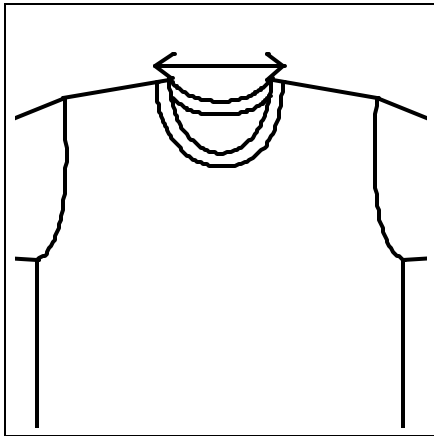
Product Type:

SHIRTS, SWEATERS, KNIT TOPS, DRESSES



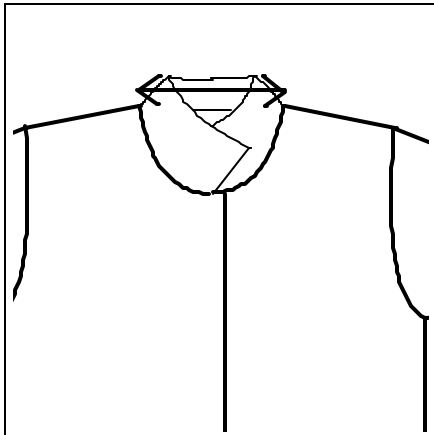
#29
 STRAP LENGTH EXTENDED
 How to Measure:
 MEASURE FROM STRAP END TO STRAP END

 Product Type:
 DRESSES
 KNIT TOPS, CAMISOLES



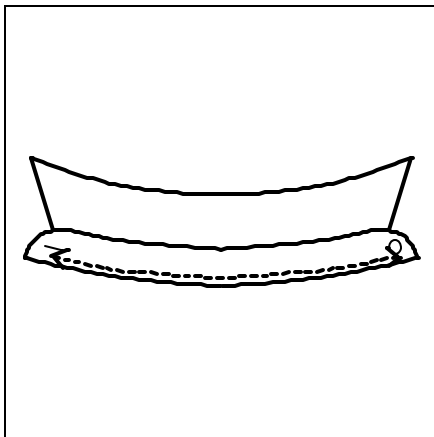
#30
 NECK OPENING FROM SEAM TO SEAM
 How to Measure:
 MEASURE STRAIGHT ACROSS NECK EDGE FROM
 SEAM OF RIB/COLLAR TO SEAM OF RIB/COLLAR.

 Product Type:
 SHIRTS, SWEATERS, KNIT TOPS, DRESSES
 JACKETS



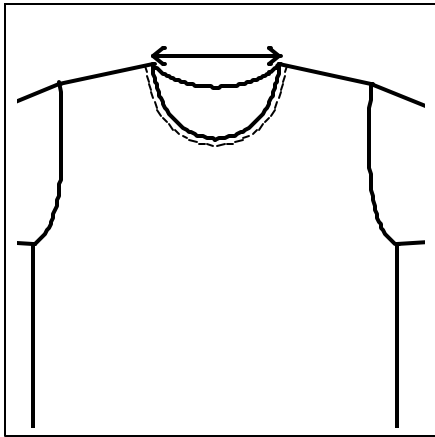
#30A
 NECK OPENING FROM SEAM TO SEAM (COLLAR)
 How to Measure:
 MEASURE STRAIGHT ACROSS NECK EDGE FROM
 SEAM OF COLLAR TO SEAM OF COLLAR.

 Product Type:
 SHIRTS, SWEATERS, KNIT TOPS, DRESSES



#30B
 NECK OPENING (to fit seam)
 How to Measure:
 MEASURE NECKBAND FROM MIDDLE OF BUTTONHOLE
 TO MIDDLE OF BUTTON.

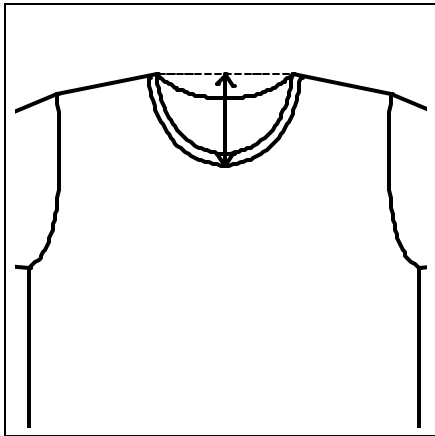
 Product Type:
 SHIRTS



#31
NECK OPENING FROM EDGE TO EDGE

How to Measure:
MEASURE STRAIGHT ACROSS NECK EDGE FROM OUTER
EDGE OF RIB/NECK TO OUTER EDGE OF RIB/NECK

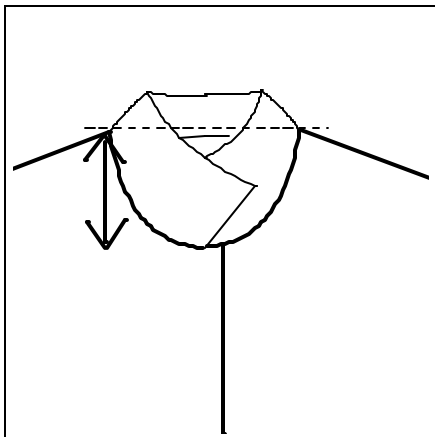
Product Type:
SHIRTS, SWEATERS, KNIT TOPS, DRESSES
JACKETS, VESTS



#32
FRONT NECK DROP (IMAGINARY LINE TO SEAM)

How to Measure:
MEASURE FROM IMAGINARY LINE (SHOULDER SEAM
ACROSS NECK TO SHOULDER SEAM) TO FRONT NECK
SEAM AT CENTER FRONT

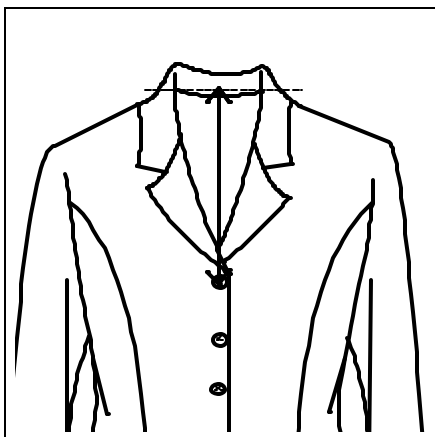
Product Type:
SHIRTS, SWEATERS, KNIT TOPS, DRESSES
JACKETS, VESTS



#32A
FRONT NECK DROP TO SEAM (COLLAR)

How to Measure:
MEASURE FROM IMAGINARY LINE (SHOULDER SEAM
ACROSS NECK TO SHOULDER SEAM) TO FRONT NECK
SEAM AT CENTER FRONT

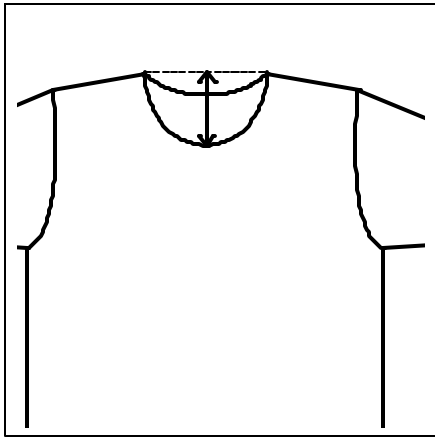
Product Type:
SHIRTS, SWEATERS, KNIT TOPS, DRESSES
JACKETS, SHIRTS



#33
FRONT NECK DROP (IMAGINARY LINE TO FIRST BUTTON)

How to Measure:
MEASURE FROM IMAGINARY LINE (SHOULDER SEAM ACROSS
NECK TO SHOULDER SEAM) TO MIDDLE OF FIRST
CENTER FRONT BUTTON.

Product Type:
JACKETS, SHIRTS



#34

FRONT NECK DROP (IMAGINARY LINE TO CTR FRONT NECK EDGE)

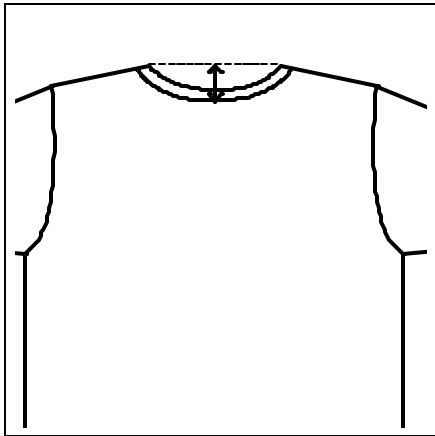
How to Measure:

MEASURE FROM IMAGINARY LINE (SHOULDER SEAM ACROSS NECK TO SHOULDER SEAM) TO FRONT NECK EDGE AT CENTER FRONT

Product Type:

SHIRTS, SWEATERS, KNIT TOPS, DRESSES

JACKETS, VESTS



#35

BACK NECK DROP (IMAGINARY LINE TO CTR BACK NECK SEAM)

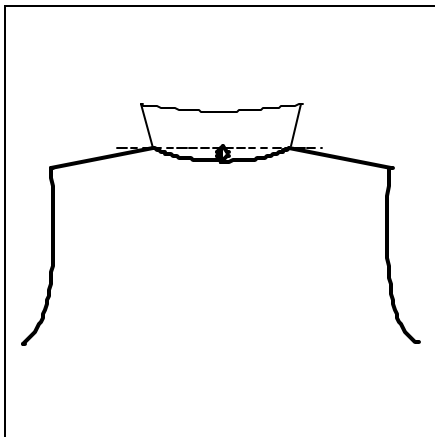
How to Measure:

MEASURE FROM IMAGINARY LINE (SHOULDER SEAM ACROSS NECK TO SHOULDER SEAM) TO BACK NECK SEAM AT CENTER BACK

Product Type:

SHIRTS, SWEATERS, KNIT TOPS, DRESSES

JACKETS, VESTS



#35A

BACK NECK DROP (IMAGINARY LINE TO CTR BACK NECK SEAM)

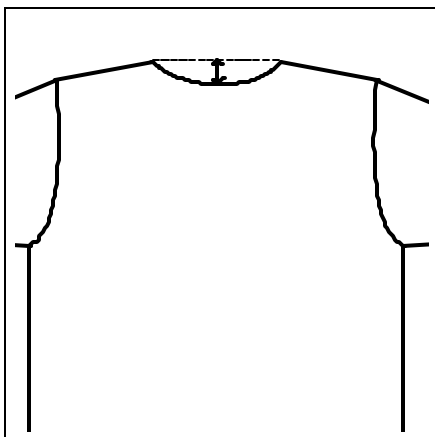
How to Measure:

MEASURE FROM IMAGINARY LINE (SHOULDER SEAM ACROSS NECK TO SHOULDER SEAM) TO BACK NECK SEAM AT CENTER BACK

Product Type:

SHIRTS, SWEATERS, KNIT TOPS, DRESSES

JACKETS, VESTS



#36

BACK NECK DROP (IMAGINARY LINE TO CTR BACK NECK EDGE)

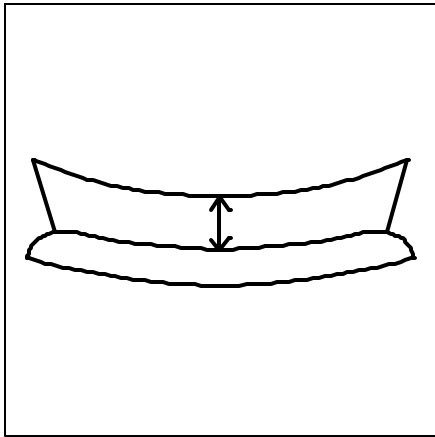
How to Measure:

MEASURE FROM IMAGINARY LINE (SHOULDER SEAM ACROSS NECK TO SHOULDER SEAM) TO BACK NECK EDGE AT CENTER BACK

Product Type:

SHIRTS, SWEATERS, KNIT TOPS, DRESSES

JACKETS, VESTS



#37

COLLAR HEIGHT

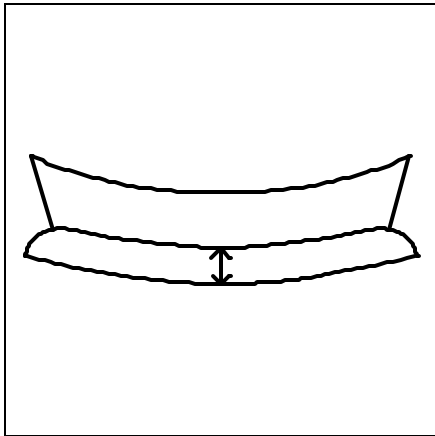
How to Measure:

MEASURE COLLAR/NECKBAND AT CENTER BACK
FROM BOTTOM OF COLLAR/NECKBAND SEAM TO
THE TOP OF THE COLLAR/NECKBAND EDGE.

Product Type:

SHIRTS, SWEATERS, KNIT TOPS, DRESSES

JACKETS, VESTS



#38

COLLAR BAND HEIGHT

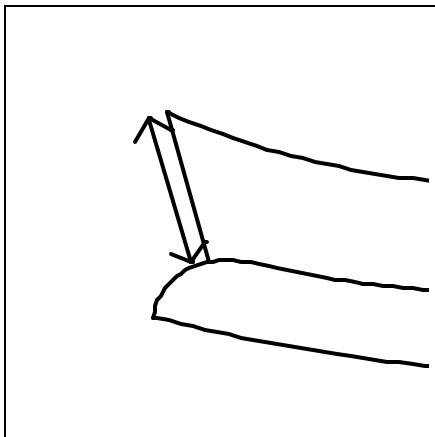
How to Measure:

MEASURE COLLARBAND AT CENTER BACK
FROM NECK JOIN SEAM TO COLLAR JOIN SEAM.

Product Type:

SHIRTS, SWEATERS, KNIT TOPS, DRESSES

JACKETS, VESTS



#39

COLLAR POINT

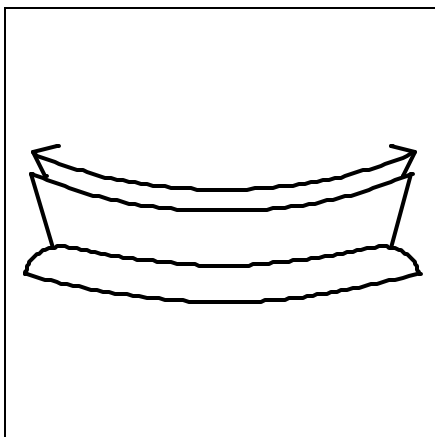
How to Measure:

MEASURE FROM COLLAR SEAM TO TIP OF
COLLAR

Product Type:

SHIRTS, SWEATERS, KNIT TOPS, DRESSES

JACKETS, VESTS



#40

COLLAR LENGTH OUTER EDGE

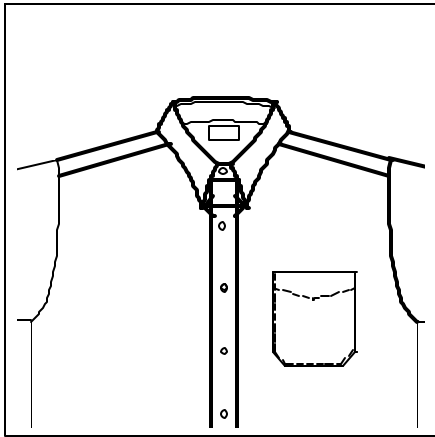
How to Measure:

MEASURE ALONG OUTER EDGE OF COLLAR FROM
TIP TO TIP

Product Type:

SHIRTS, SWEATERS, KNIT TOPS, DRESSES

JACKETS, VESTS



#41

COLLAR SPREAD

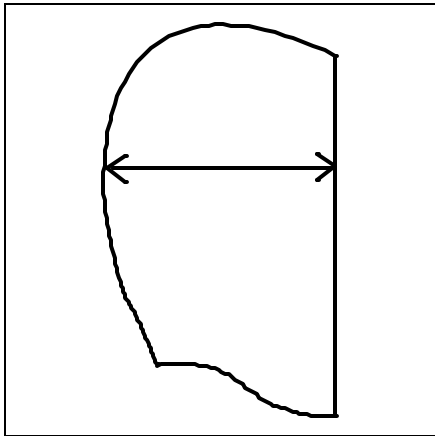
How to Measure:

WITH COLLAR IN NATURAL POSITION, MEASURE FROM TIP OF COLLAR TO TIP OF COLLAR.

Product Type:

SHIRTS, SWEATERS, KNIT TOPS, DRESSES

JACKETS



#42

HOOD WIDTH

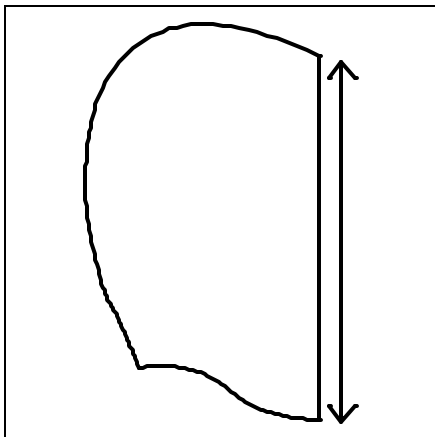
How to Measure:

MEASURE FROM THE FRONT TO THE BACK FOLD OF THE HOOD AT THE WIDEST POINT OF THE HOOD.

Product Type:

SWEATERS, KNIT TOPS, JACKETS

SHIRTS



#43

HOOD LENGTH

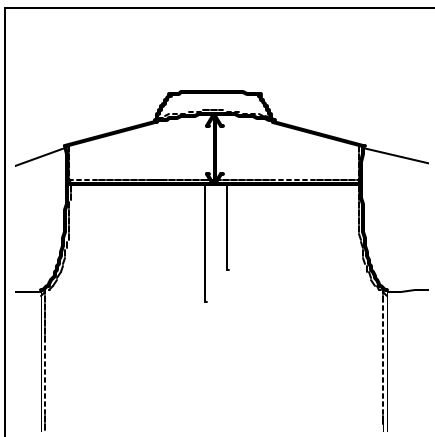
How to Measure:

MEASURE FRONT OPEN FROM TOP EDGE TO FRONT NECK JOIN SEAM

Product Type:

SWEATERS, KNIT TOPS, JACKETS

JACKETS, VESTS



#44

BACK YOKE WIDTH

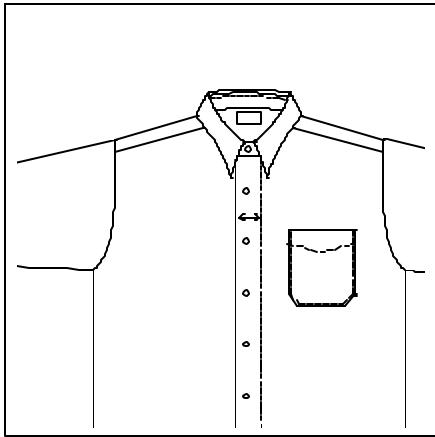
How to Measure:

MEASURE FROM BOTTOM NECK SEAM STRAIGHT DOWN TO YOKE EDGE.

Product Type:

SHIRTS, SWEATERS, KNIT TOPS, DRESSES

JACKETS, VESTS



#45

PLACKET WIDTH

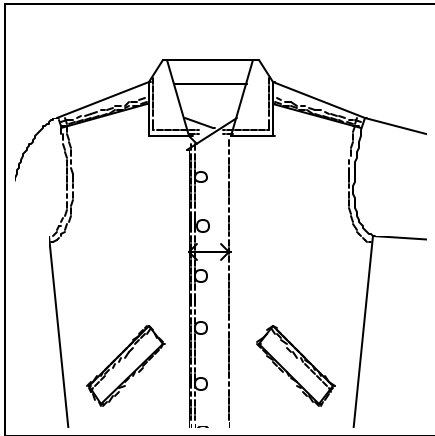
How to Measure:

MEASURE STRAIGHT ACROSS FROM FINISHED
EDGE TO TOPSTITCH OR FOLD LINE THAT DEFINES
THE PLACKET.

Product Type:

SHIRTS, SWEATERS, KNIT TOPS, DRESSES

JACKETS, VESTS



#46

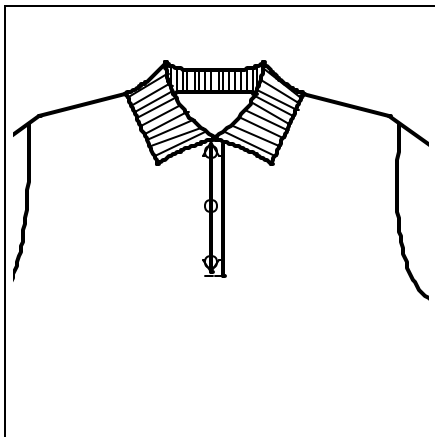
EXTENDED PLACKET WIDTH (EXTENDED PLACKETS ONLY)

How to Measure:

MEASURE FROM FINISHED EDGE STRAIGHT ACROSS
TO TOPSTITCHING THAT IMPLIES WHERE THE PLACKET
JOINS THE JACKET.

Product Type:

JACKETS, VESTS, SHIRTS



#47

PLACKET LENGTH

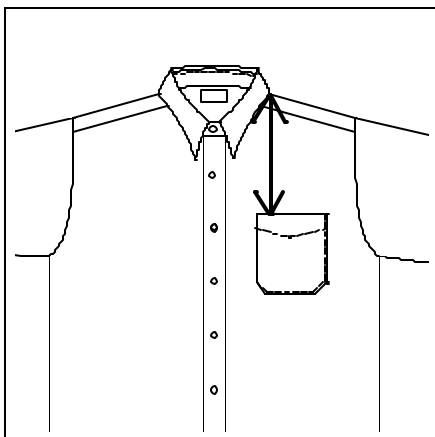
How to Measure:

MEASURE DOWN FROM COLLAR SEAM TO THE BOTTOM
OF STITCHING THAT ENDS THE PLACKET.

Product Type:

SHIRTS, SWEATERS, KNIT TOPS, DRESSES

JACKETS, VESTS



#48

POCKET PLACEMENT FROM HPS

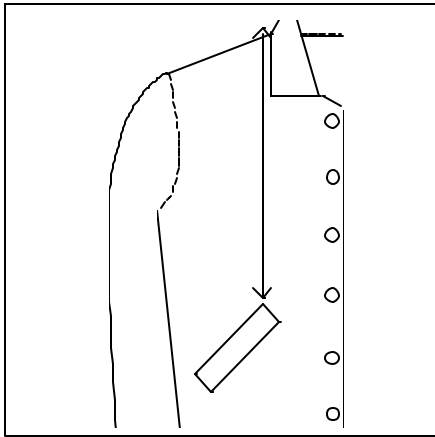
How to Measure:

MEASURE FROM HIGH POINT SHOULDER TO
TO THE TOP OF POCKET EDGE.
FRONT EDGE OF GARMENT.

Product Type:

SHIRTS, SWEATERS, KNIT TOPS, DRESSES

JACKETS, VESTS



#48A

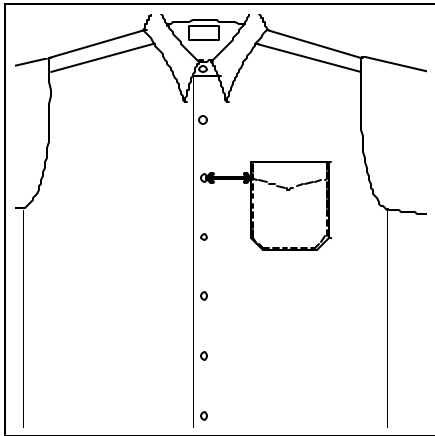
POCKET PLACEMENT FROM HPS (WELT/BESOM)

How to Measure:

MEASURE FROM HIGH POINT SHOULDER TO THE TOP
EDGE OF THE WELT.

Product Type:

JACKETS, VESTS, SHIRTS



#49

POCKET PLACEMENT FROM CF

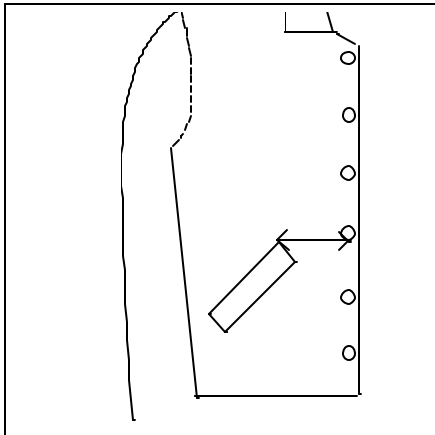
How to Measure:

MEASURE FROM CENTER FRONT TO
THE POCKET EDGE.
FRONT EDGE OF GARMENT.

Product Type:

SHIRTS, SWEATERS, KNIT TOPS, DRESSES

JACKETS, VESTS



#49A

POCKET PLACEMENT FROM CENTER FRONT (WELT/BESOM)

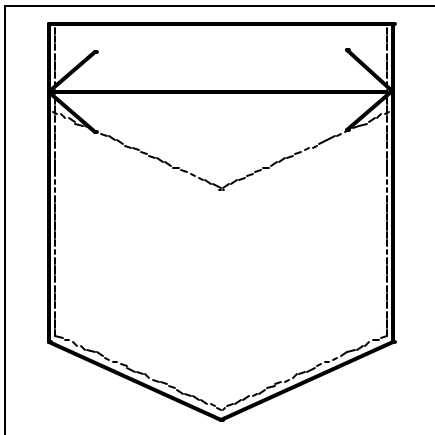
How to Measure:

MEASURE FROM CENTER FRONT TO THE TOP EDGE OF
THE WELT.

Product Type:

SHIRTS, SWEATERS, KNIT TOPS, DRESSES

JACKETS, VESTS, PANTS, SKIRTS



#50

POCKET WIDTH

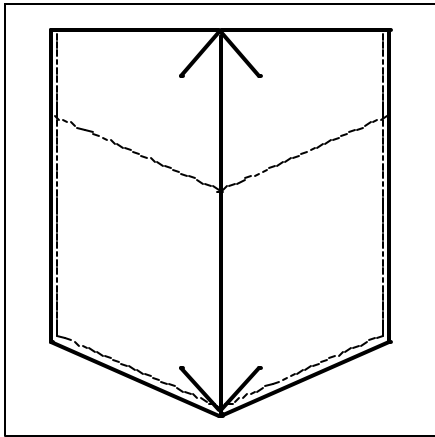
How to Measure:

MEASURE STRAIGHT ACROSS POCKET FROM
SEAM TO SEAM.

Product Type:

SHIRTS, SWEATERS, KNIT TOPS, DRESSES

JACKETS, VESTS, PANTS, SKIRTS



#51

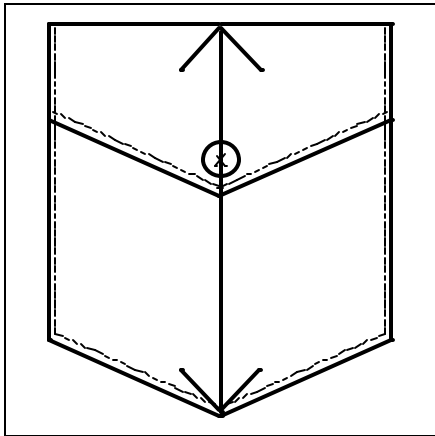
POCKET LENGTH

How to Measure:

MEASURE STRAIGHT DOWN MIDDLE OF POCKET
FROM TOP EDGE TO BOTTOM SEAM.

Product Type:

SHIRTS, SWEATERS, KNIT TOPS, DRESSES
JACKETS, VESTS, PANTS, SKIRTS



#51A

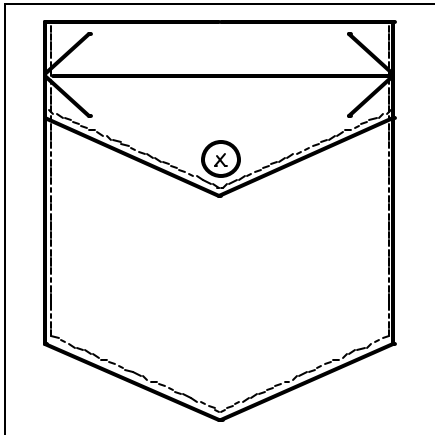
POCKET LENGTH WITH FLAP

How to Measure:

MEASURE DOWN FROM TOP EDGE OF POCKET FLAP
TO BOTTOM EDGE OF POCKET.

Product Type:

SHIRTS, SWEATERS, KNIT TOPS, DRESSES
JACKETS, VESTS, PANTS, SKIRTS



#52

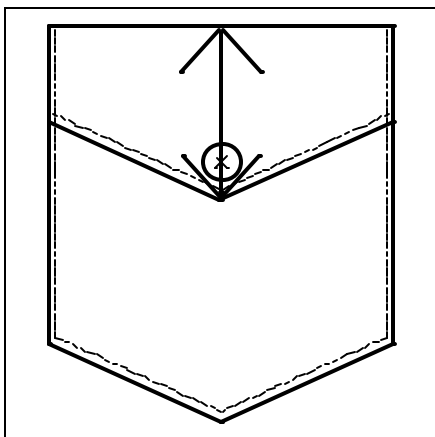
POCKET FLAP WIDTH

How to Measure:

MEASURE ACROSS POCKET FLAP FROM
SEAM TO SEAM.

Product Type:

SHIRTS, SWEATERS, KNIT TOPS, DRESSES
JACKETS, VESTS, PANTS, SKIRTS



#53

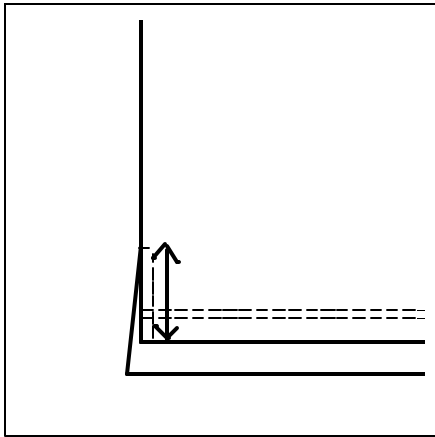
POCKET FLAP LENGTH

How to Measure:

MEASURE DOWN POCKET FLAP FROM TOP EDGE
TO BOTTOM EDGE OF POCKET FLAP.

Product Type:

SHIRTS, SWEATERS, KNIT TOPS, DRESSES
JACKETS, VESTS, PANTS, SKIRTS



#54

FRONT VENT LENGTH

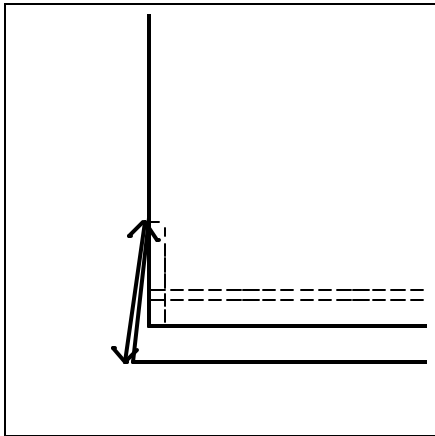
How to Measure:

MEASURE FROM TOP OF SLIT TO FRONT

BOTTOM EDGE OF GARMENT.

Product Type:

SHIRTS, SWEATERS, KNIT TOPS, DRESSES



#55

BACK VENT LENGTH

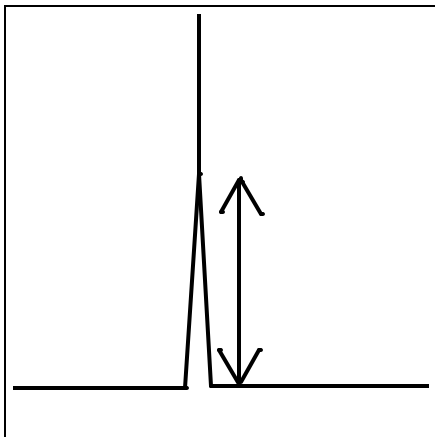
How to Measure:

MEASURE FROM TOP OF SLIT TO BACK

BOTTOM EDGE OF GARMENT.

Product Type:

SHIRTS, SWEATERS, KNIT TOPS, DRESSES



#56

SLIT LENGTH

How to Measure:

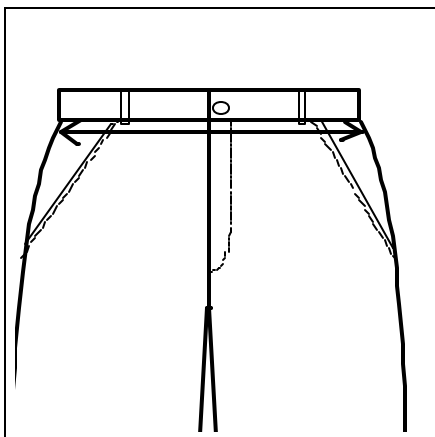
MEASURE FROM TOP OF SLIT TO

BOTTOM EDGE OF GARMENT.

Product Type:

SHIRTS, SWEATERS, KNIT TOPS, DRESSES

BOXERS, BRIEFS, TRUNKS



#57

WAIST AT SEAM

How to Measure:

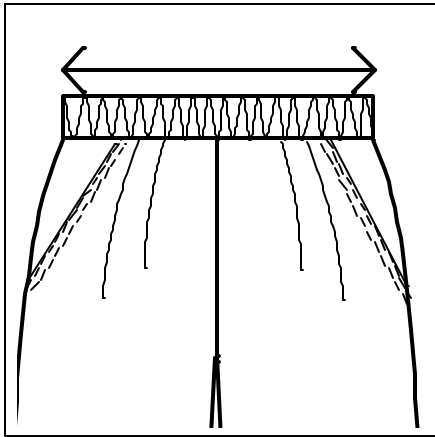
MEASURE STRAIGHT ACROSS WAIST BAND FROM

SIDE SEAM TO SIDE SEAM.

Product Type:

PANTS, SHORTS, SKIRTS

BOXERS, BRIEFS, TRUNKS



#58

WAIST RELAXED

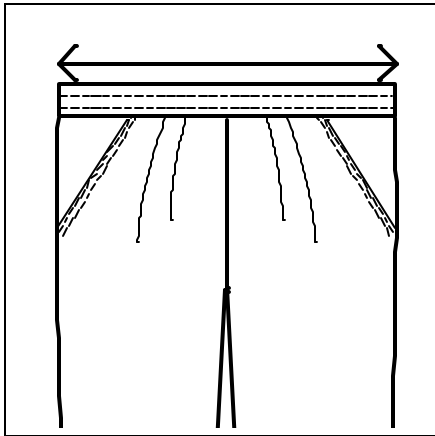
How to Measure:

MEASURE ACROSS ELASTIC WAIST BAND
FROM SIDE SEAM TO SIDE SEAM.

Product Type:

PANTS, SHORTS, SKIRTS

BOXERS, BRIEFS, TRUNKS



#59

WAIST STRETCHED

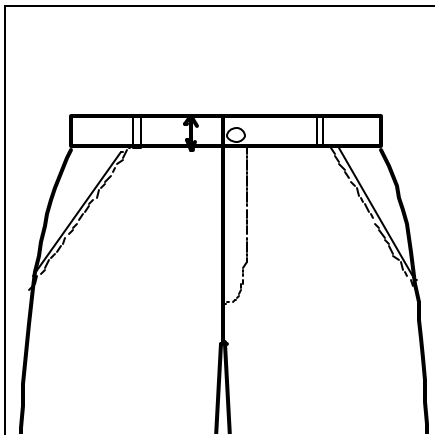
How to Measure:

MEASURE ACROSS ELASTIC WAIST BAND FROM
SIDE SEAM TO SIDE SEAM WITH ELASTIC
STRETCHED OUT WITHOUT DISTORTING FABRIC.

Product Type:

PANTS, SHORTS, SKIRTS

BOXERS, BRIEFS, TRUNKS



#60

WAISTBAND HEIGHT

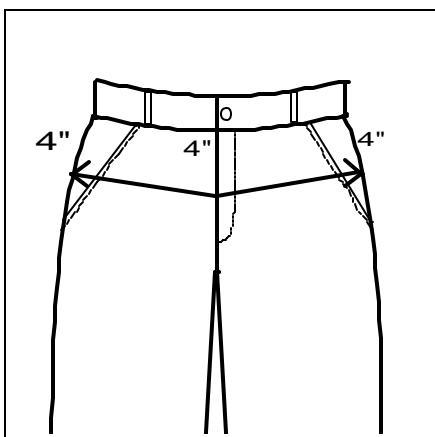
How to Measure:

MEASURE WAISTBAND FROM TOP EDGE TO
WAIST SEAM.

Product Type:

PANTS, SHORTS, SKIRTS

BOXERS, BRIEFS, TRUNKS



#61

HIGH HIP 4" BELOW WAISTBAND

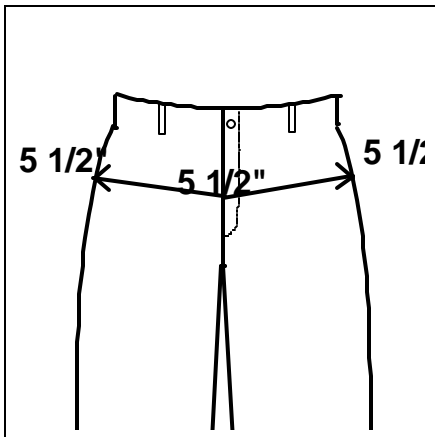
How to Measure:

MEASURE FROM BOTTOM OF WAISTBAND AT SIDE SEAMS AND
CENTER FRONT 4" AND MARK POINTS. MEASURE AT POINTS
FROM SIDE SEAM TO CENTER FRONT TO SIDE SEAM.

Product Type:

PANTS, SHORTS, SKIRTS

BOXERS, BRIEFS, TRUNKS



#61A

HIGH HIP (HOLLYWOOD WAIST)

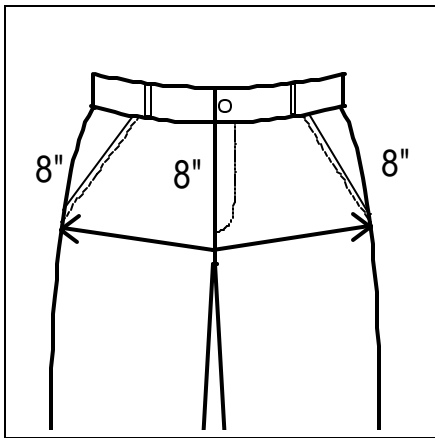
How to Measure:

MEASURE FROM TOP EDGE OF WAIST AT SIDE SEAMS AND CENTER FRONT 5 1/2" AND MARK POINTS. MEASURE AT POINTS FROM SIDE SEAM TO CENTER FRONT TO SIDE SEAM.

Product Type:

PANTS, SHORTS, SKIRTS

BOXERS, BRIEFS, TRUNKS



#62

LOW HIP 8" BELOW WAISTBAND

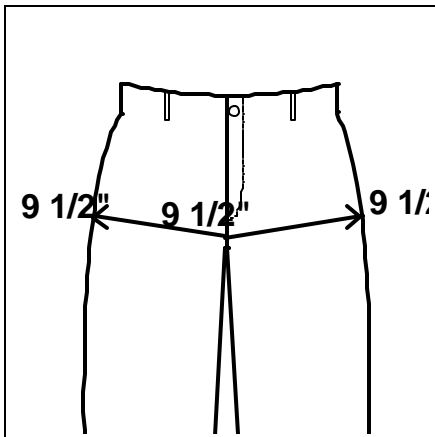
How to Measure:

MEASURE FROM BOTTOM OF WAISTBAND AT SIDE SEAMS AND CENTER FRONT 8" AND MARK POINTS. MEASURE AT POINTS FROM SIDE SEAM TO CENTER FRONT TO SIDE SEAM.

Product Type:

PANTS, SHORTS, SKIRTS

BOXERS, BRIEFS, TRUNKS



#62A

LOW HIP (HOLLYWOOD WAIST)

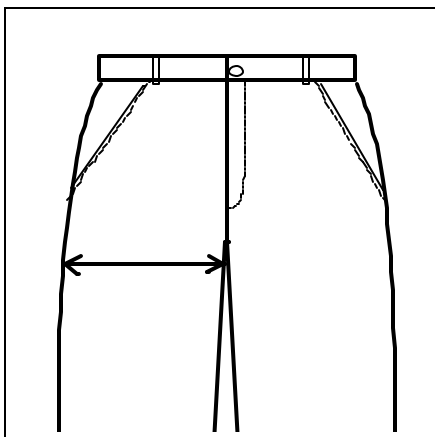
How to Measure:

MEASURE FROM TOP EDGE OF WAIST AT SIDE SEAMS AND CENTER FRONT 9 1/2" AND MARK POINTS. MEASURE AT POINTS FROM SIDE SEAM TO CENTER FRONT TO SIDE SEAM.

Product Type:

PANTS, SHORTS, SKIRTS

BOXERS, BRIEFS, TRUNKS



#63

THIGH WIDTH

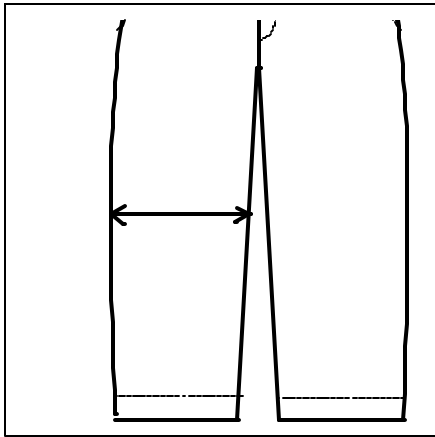
How to Measure:

MEASURE STRAIGHT ACROSS PANT LEG 1" BELOW CROTCH SEAM.

Product Type:

PANTS, SHORTS, SKIRTS

BOXERS, BRIEFS, TRUNKS



#64

KNEE WIDTH

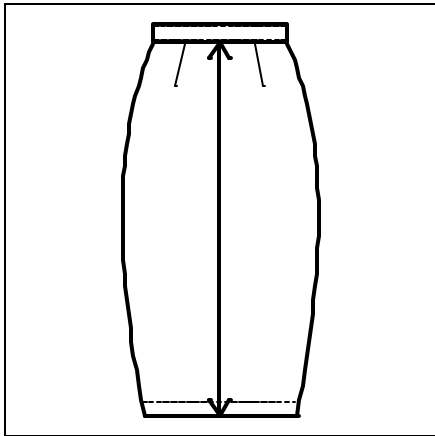
How to Measure:

MEASURE STRAIGHT ACROSS PANT LEG

15" BELOW CROTCH SEAM.

Product Type:

PANTS



#65

CENTER FRONT LENGTH

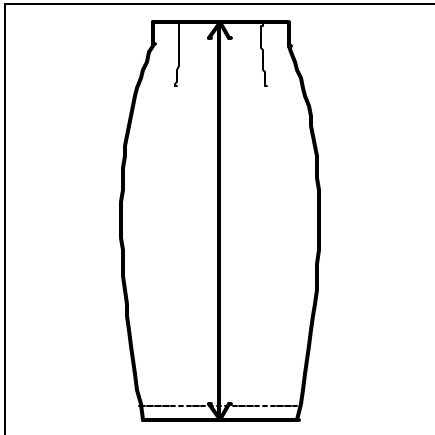
How to Measure:

MEASURE STRAIGHT DOWN FROM BELOW

WAISTBAND TO FINISHED HEM EDGE.

Product Type:

SKIRTS



#65A

CENTER FRONT LENGTH (HOLLYWOOD WAIST)

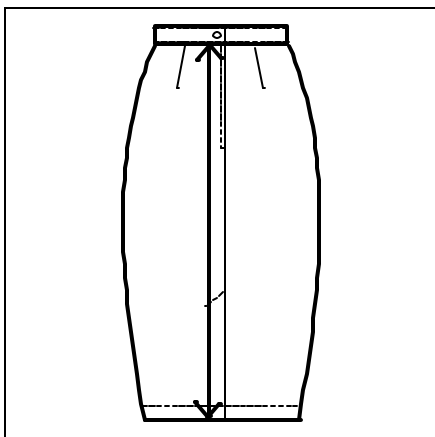
How to Measure:

MEASURE STRAIGHT DOWN FROM TOP EDGE OF

GARMENT TO FINISHED HEM EDGE.

Product Type:

SKIRTS



#66

CENTER BACK LENGTH

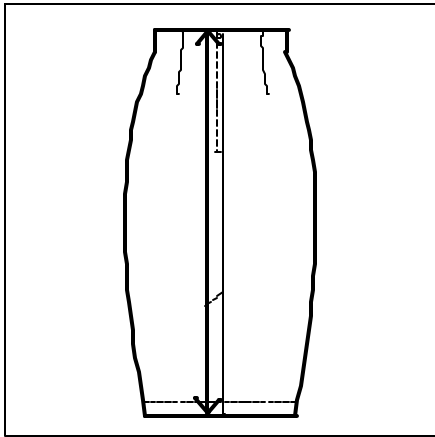
How to Measure:

MEASURE STRAIGHT DOWN BACK FROM BELOW

WAISTBAND TO FINISHED HEM EDGE.

Product Type:

SKIRTS



#66A

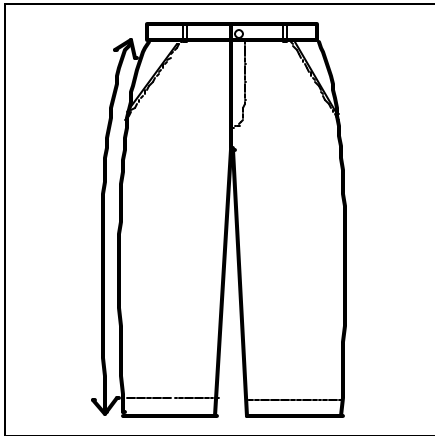
CENTER BACK LENGTH (HOLLYWOOD WAIST

How to Measure:

MEASURE STRAIGHT DOWN BACK FROM TOP EDGE OF
GARMENT TO FINISHED HEM EDGE.

Product Type:

SKIRTS



#67

OUTSEAM

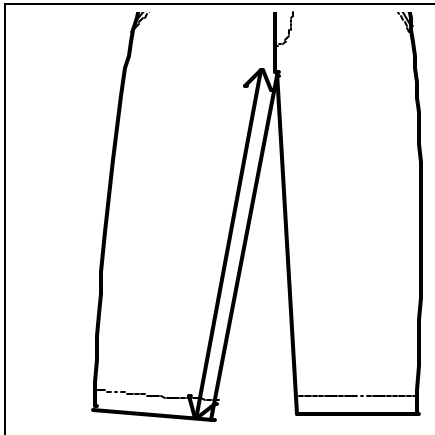
How to Measure:

MEASURE ALONG SIDE SEAM FROM BELOW
WAISTBAND TO HEM FINISHED EDGE.

Product Type:

PANTS, SHORTS

BOXERS, BRIEFS, TRUNKS



#68

INSEAM

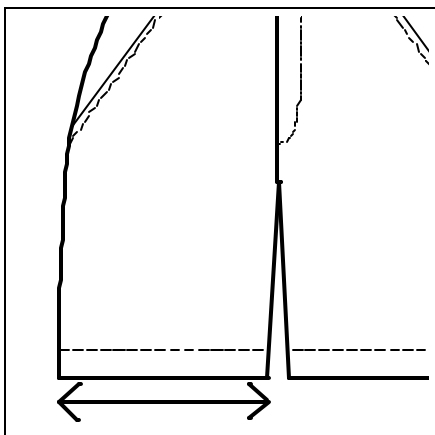
How to Measure:

MEASURE ALONG INSEAM FROM BELOW
CROTCH SEAM TO HEM FINISHED EDGE.

Product Type:

PANTS, SHORTS

BOXERS, BRIEFS, TRUNKS



#69

LEG OPENING

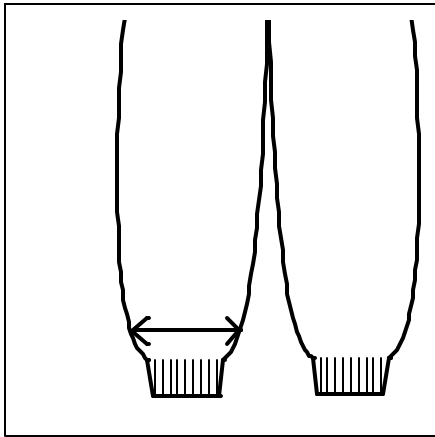
How to Measure:

MEASURE HEM FINISHED EDGE FROM
SIDE SEAM TO INSEAM.

Product Type:

PANTS, SHORTS

BOXERS, BRIEFS, TRUNKS



#70

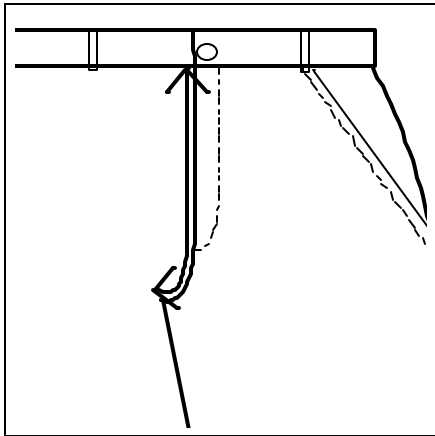
LEG OPENING 1" ABOVE RIB

How to Measure:

MEASURE STRAIGHT ACROSS FROM SIDE
SEAM TO INSEAM, 1" ABOVE TOP OF RIB TRIM.

Product Type:

PANTS



#71

FRONT RISE

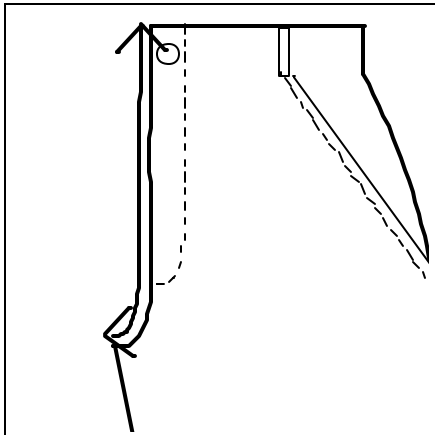
How to Measure:

MEASURE FROM BELOW WAISTBAND ALONG
FRONT RISE SEAM TO INSEAM.

Product Type:

PANTS, SHORTS

BOXERS, BRIEFS, TRUNKS



#71A

FRONT RISE (HOLLYWOOD WAIST)

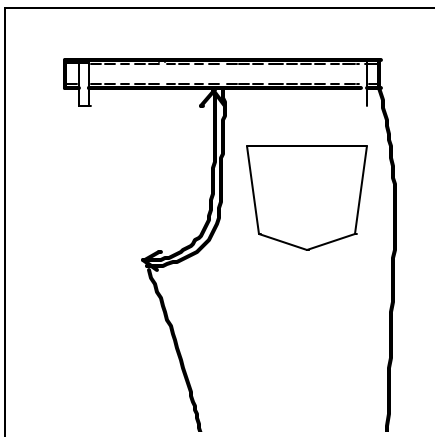
How to Measure:

MEASURE FROM TOP EDGE OF WAIST ALONG
FRONT RISE SEAM TO INSEAM.

Product Type:

PANTS, SHORTS

BOXERS, BRIEFS, TRUNKS



#72

BACK RISE

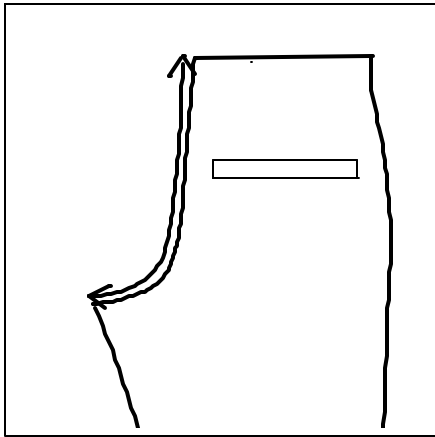
How to Measure:

MEASURE FROM BELOW WAISTBAND ALONG
BACK RISE SEAM TO INSEAM.

Product Type:

PANTS, SHORTS

BOXERS, BRIEFS, TRUNKS



#72A

BACK RISE (HOLLYWOOD WAIST)

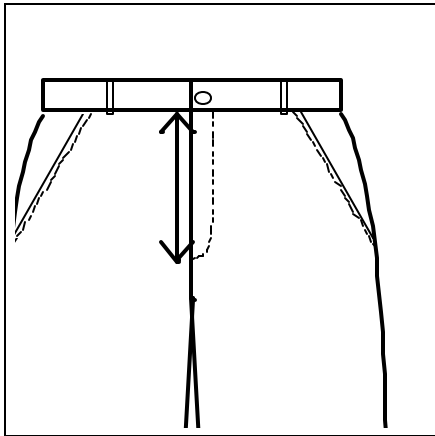
How to Measure:

MEASURE FROM TOP EDGE OF WAIST ALONG
BACK RISE SEAM TO INSEAM.

Product Type:

PANTS, SHORTS

BOXERS, BRIEFS, TRUNKS



#73

FLY OPENING LENGTH

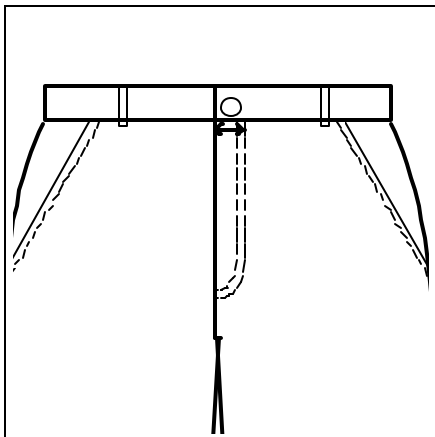
How to Measure:

MEASURE FROM WAISTBAND SEAM
AT CENTER FRONT TO END OF OPENING.

Product Type:

PANTS, SHORTS, SKIRTS

BOXERS, BRIEFS, TRUNKS



#74

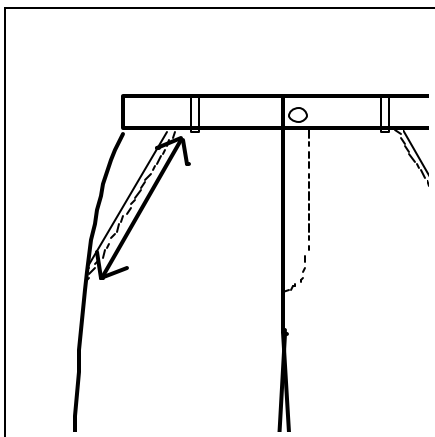
FLY OPENING WIDTH

How to Measure:

MEASURE FROM EDGE STRAIGHT ACROSS TO
STITCHING THAT DEFINES EDGE OF FLY.

Product Type:

PANTS, SHORTS, SKIRTS



#75

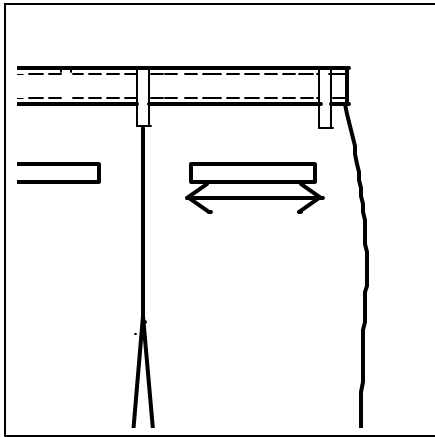
FRONT POCKET OPENING

How to Measure:

MEASURE ALONG FRONT POCKET OPENING
FROM BELOW WAISTBAND TO SIDE SEAM.

Product Type:

PANTS, SHORTS, SKIRTS



#76

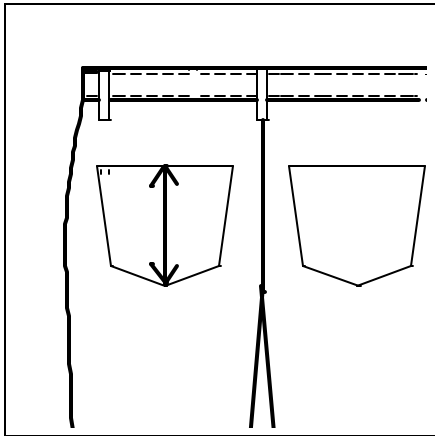
BACK POCKET WIDTH

How to Measure:

MEASURE STRAIGHT ACROSS POCKET FROM
EDGE TO EDGE

Product Type:

PANTS, SHORTS, SKIRTS



#77

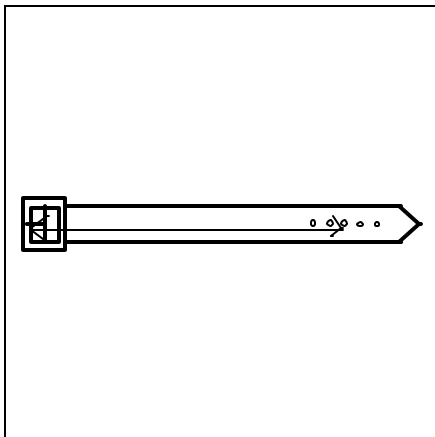
BACK POCKET DEPTH

How to Measure:

MEASURE BACK POCKET FROM EDGE TO EDGE

Product Type:

PANTS, SHORTS, SKIRTS



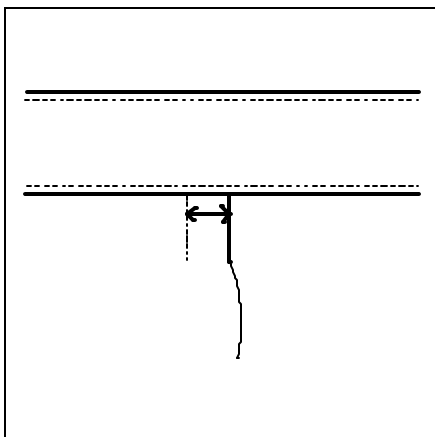
#78

BELT LENGTH

How to Measure:

MEASURE FROM THE TIP OF THE PRONG
TO CENTER EYELET.

Product Type:



#79

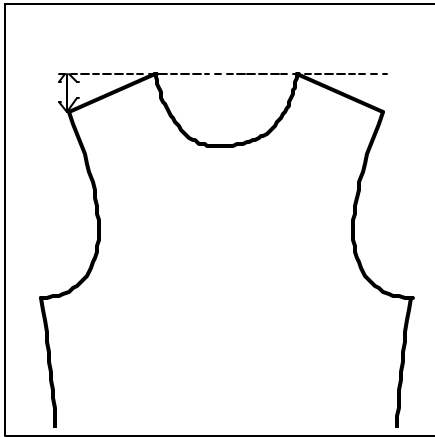
PLEAT DEPTH

How to Measure:

MEASURE FROM INSIDE FOLD OF
PLEAT TO OUTER EDGE.

Product Type:

PANTS, SHORTS, SKIRTS



#80

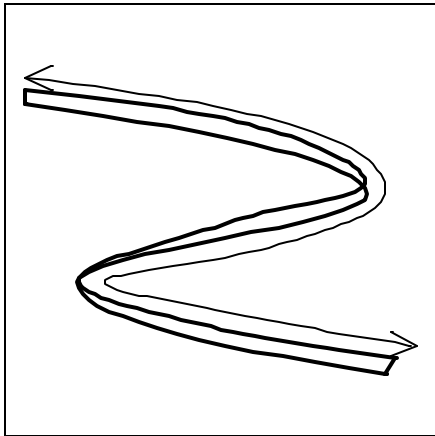
SHOULDER SLOPE

How to Measure:

MEASURE FROM IMAGINARY LINE (SHOULDER SEAM TO SHOULDER SEAM) TO SHOULDER SEAM AT ARMHOLE

Product Type:

JACKETS, VESTS, SHIRTS



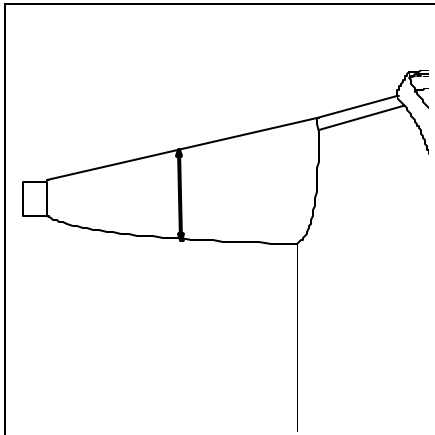
81

TIE LENGTH

How to Measure:

MEASURE LENGTH OF TIE

Product Type:



#82

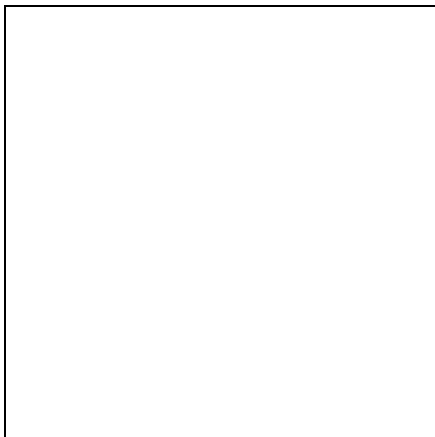
ELBOW WIDTH

How to Measure:

MEASURE ACROSS SLEEVE HALFWAY BETWEEN ARMHOLE AND HEM

Product Type:

SHIRTS, SWEATERS, KNIT TOPS, DRESSES



How to Measure:

Product Type: